

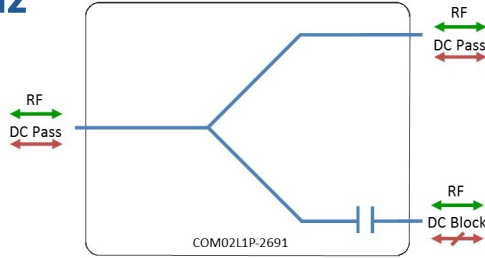


Model Number:
COM02L1P-2691

RF Components

IP67 2-Way Passive L-Band Splitter/Combiner

1000 - 2000 MHz



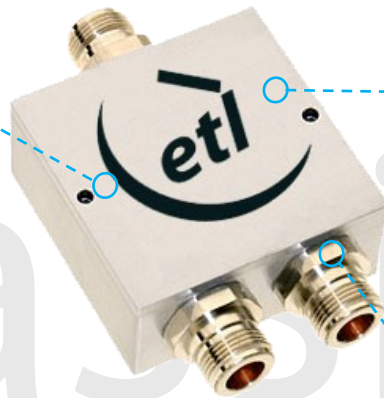
- Common to port 1 DC pass
- Port 2 DC block with 64 ohm load
- Prevents GPS receive alarming

Available with RF connector options:

- 50 Ω SMA
- 50 Ω N-type

Compact
housed in IP67*
outdoor housing

1000-2000 MHz
Operating frequency
range.



GPS ready
64 ohm Load on
the DC blocked
port

Passive

| RF Parameters | | |
|---|---------------|------------|
| COM02L1P-2691-XXXX | S5S5 | N5N5 |
| Frequency Range | 1000-2000 MHz | |
| RF Connectors | 50Ω SMA | 50Ω N-Type |
| Mean Insertion Loss (dB) | 0.2±0.2 | 0.2±0.2 |
| Flatness ± (dB) | 0.15 | 0.15 |
| Input Return Loss (dB) | Typ. | 18 |
| | Min | 16 |
| Output Return Loss (dB) | Typ. | 20 |
| | Min | 18 |
| Isolation (dB) | Typ. | 22 |
| Amplitude Balance (dB) | ≤0.2 | ≤0.2 |
| Phase Balance (Φ) | ≤2° | ≤2° |
| The given Insertion Loss specified is the loss above the theoretical limit for a lossless divider | | |

Broadcast



Marine Oil & Gas



SNG & VSAT



Satellite Teleport



Technical specifications and operating parameters

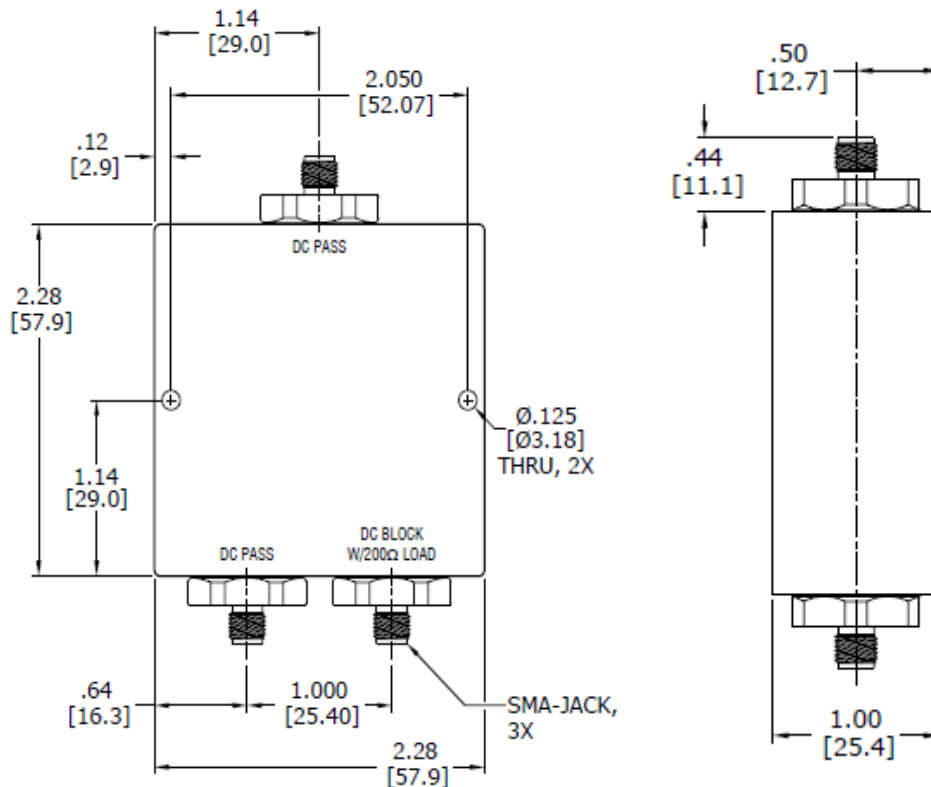
| Environmental | | |
|-----------------------|------|----------------------------|
| Operating Temperature | | -65°C to +85°C |
| Storage Temperature | | -65°C to +85°C |
| Location | | Indoor / Outdoor IP67* use |
| Humidity | Max. | 85% non-condensing |
| Altitude | Max. | 10,000 feet |

| Max Operating Parameters | |
|--|---------------------------|
| Input RF Power into matched load with 20dB return loss | +43 dBm (20W) as splitter |
| DC Voltage | 16V on any RF port |
| DC Current | 250mA max |
| DC Consumption | N/A |

*IP67 integrity is maintained by populating all ports with sufficiently rated connectors and that unused ports have IP67 terminators or dust caps when awaiting connection. Dust caps are not sold with this product.

! Operation beyond these limits may cause instantaneous and permanent damage.

Physical Dimensions (mm)



Note: The specification is subject to regular reviews and will be updated from time to time as part of our continuing product development and improved spec accuracy.